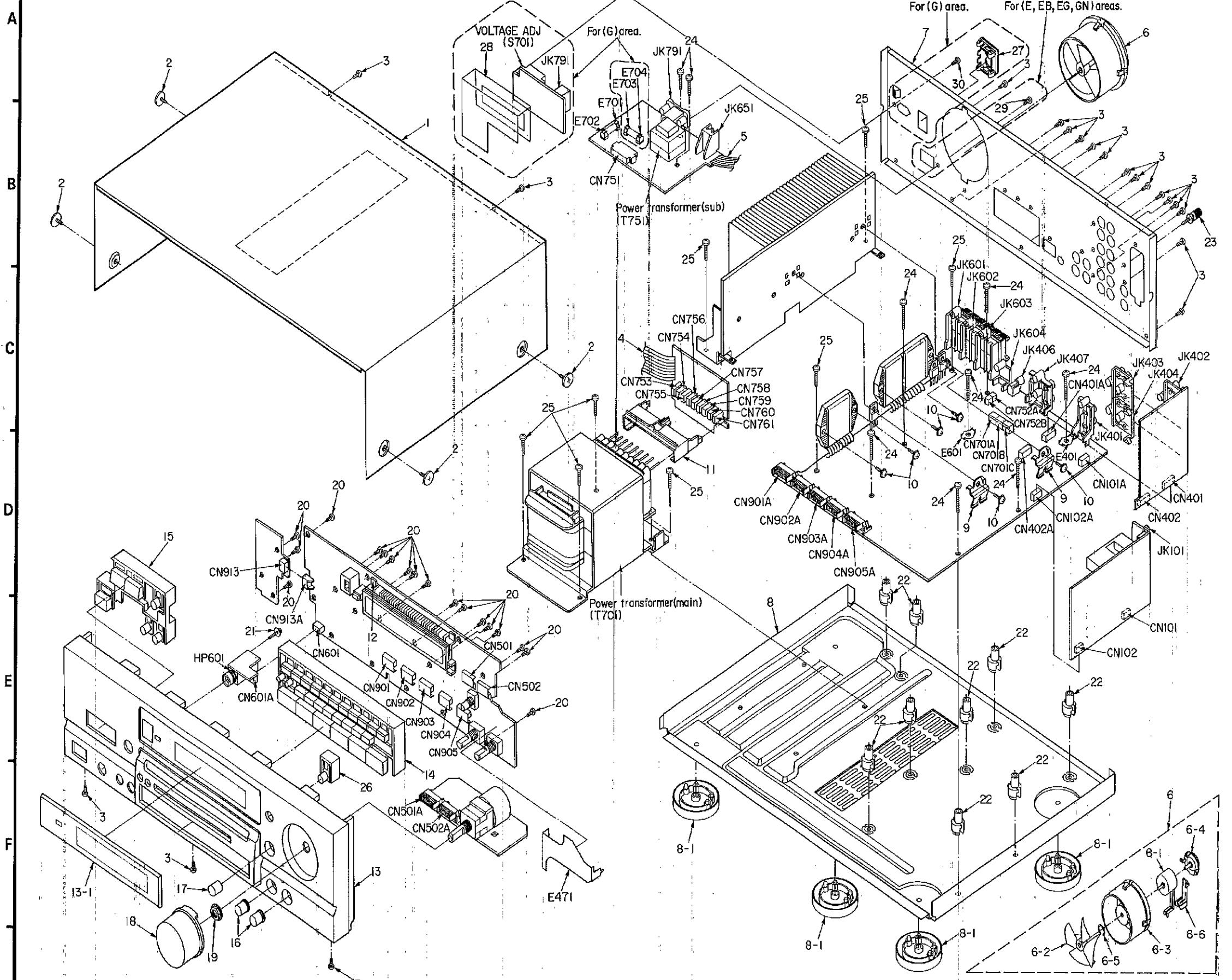


CABINET PARTS LOCATION



REPLACEMENT PARTS LIST

Notes: *Important safety notice: Components identified by Δ mark have special characteristics important for safety. Furthermore, special parts which have purposes of fire-retardant (resistors), high-quality sound (capacitors), low-noise (resistors), etc. are used. When replacing any of components, be sure to use only manufacturer's specified parts shown in the parts list. *The parenthesized indications in the Remarks column specify the areas. (Refer to the cover page for area.) Parts without these indications can be used for all areas. *The "SF" mark denotes the standard part.

Ref. No.	Part No.	Part Name & Description	Remarks	Ref. No.	Part No.	Part Name & Description	Remarks
CABINET AND CHASSIS							
	P1	RP61601	PACKING CASE		(E, EG, G, GN)		
	P1	RP61602	PACKING CASE		(EB)		
	P2	RPW0324-2	CUSHION				
1	RWD219A-K	CABINET					
2	SHE219-3	SCREW					
3	XTBS3+BJF21	SCREW					
4	FWJ18124400K	FLAT CABLE (W701) (12P)					
5	FWJ1818063000K	FLAT CABLE (W752) (5P)					
6	RWD020-1	FAN UNIT					
6-1	MW-4R84MBC	MOTOR					
6-2	SHE232-1	FAN					
6-3	RWD0209-K	FAN CASE					
6-4	RWD0208-K	FAN CAP					
6-5	SUS271	SPRING					
6-6	RWD0212-K	FAN TERMINAL CAP					
7	RCR0161B-A	REAR PANEL	(E)				
7	RCR0161B-B	REAR PANEL	(EB, GN)				
7	RCR0161B-C	REAR PANEL	(EG)				
7	RCR0161C-A	REAR PANEL	(G)				
8	RKJAGK350PK	BOTTOM CHASSIS ASS'Y					
8-1	RWD063-A	FOOT					
9	RWD155	TRANSISTOR HOLDER					
10	XTW3-15T	SCREW					
11	RWD217-1	P. C. B. HOLDER					
12	RWD205	FL. HOLDER					
13	RFKAGK350E	FRONT PANEL ASS'Y					
13-1	RWD252A-Q	TRANSPARENT PLATE					
14	RWD037A-K	SELECTOR BUTTON					
15	RFKAGK350PA	MODE BUTTON ASS'Y					
15	RWD012-K1	BASS/TREBLE KNOB					
17	RWD020	BALANCE KNOB					
18	RWD163A-K	VOLUME KNOB	(E, EB, EG)				
18	RWD145-1K	VOLUME KNOB	(G, GN)				
19	RWD0001	MUT					
20	XTBS26+BJ	SCREW					
21	XTWS3-10T	SCREW					
22	SHE187-2	P. C. B. SUPPORT					
23	SHE2123	GND TERMINAL					
24	XTBS3+2LJF2	SCREW					
25	XTBS3+BJF2	SCREW					
26	RFKAGK350PB	MUTING BUTTON ASS'Y					
27	SJS9231A	AC INLET COVER	(G)				
28	RWD0243	BARRIER	(G)				
29	XTBS3+BJF21	SCREW	(E, EB, EG, GN)				
30	XTBS3+BJF21	SCREW	(G)				
PACKING MATERIAL							

Ref. No.	Part No.	Part Name & Description	Remarks	Ref. No.	Part No.	Part Name & Description	Remarks
	Q902	2SA1309A-R	TRANSISTOR		Δ		
	Q903	UN4113TA	TRANSISTOR				
	Q904	UN4214TA	TRANSISTOR				
	Q906	2SA1309A-R	TRANSISTOR				
	Q907	UN4113TA	TRANSISTOR				
	Q1001	UN4213	TRANSISTOR				
	Q1002	2SC3940AQSTA	TRANSISTOR				
IC101	LA1830-1G3	IC, FM/AM 1P AMP./AM OSC					
IC102	LC7218	IC, PLL FREQ. SYNTHESIZER					
IC351	MC14052BCP	IC, VIDEO SELECTOR					
IC401	TC9153N	IC, INPUT SELECTOR					
IC402	UPC4570C	IC, BUFFER AMP					
IC451	AN6558-FSG	IC, PHONO EQ AMP					
IC471	UPC4570C	IC, TONE AMP					
IC551	MS218A-2	IC, FLAT AMP					
IC601	SV13203D	IC, POWER AMP (FRONT)	Δ	D101	MA4051MTA	DIODE	Δ
IC602	SV13102D	IC, POWER AMP (REAR/CENTER)	Δ	D102	MA165	DIODE	
IC851	BA6215	IC, VOLUME MOTOR DRIVE		D351, 352	MA4050MTA	DIODE	Δ
IC901	LC8A012A5328	IC, MICROCOMPUTER		D353	MA165	DIODE	
IC1002	MC14048CP	IC, DATA CONTROL		D401	MA4075MTA	DIODE	Δ
IC1003	LA2780N	IC, DOLBY PRO-LOGIC		D531, 532	MA165	DIODE	
IC1401	LA2730	IC, DOLBY B NR		D533-536	MA4030MTA	DIODE	
IC1403	TU9212P	IC, ATTENUATOR		D551, 552	MA165	DIODE	
IC1404	AN6554F	IC, BUFFER AMP		D601, 602	MA165	DIODE	
IC1405	MS0138P	IC, DIGITAL DELAY		D603	MA700	DIODE	
		TRANSISTOR(S)		D651	MA165	DIODE	
				D652	MA4068M	DIODE	
				D653-655	MA165	DIODE	
Q101, 102	2SC2787L	TRANSISTOR		D701-704	P300DLF	DIODE	Δ
Q103, 104	2SC2785FE	TRANSISTOR		D705, 706	MA165	DIODE	
Q105	UN4117TA	TRANSISTOR		D707, 708	MA4062MTA	DIODE	Δ
Q107, 108	2SC3311A-Q	TRANSISTOR		D710	MA4220MTA	DIODE	Δ
Q191-193	2SC3311A-Q	TRANSISTOR	(E, EB, G, GN)	D712	MA4150M	DIODE	Δ
Q351	2SA1309A-R	TRANSISTOR		D721-724	P300DLF	DIODE	Δ
Q352, 353	2SC3311A-Q	TRANSISTOR		D751-754	1SR35200TB	DIODE	Δ
Q354	UN4211	TRANSISTOR		D755	MA165	DIODE	
Q503-506	2SC3327-A	TRANSISTOR		D756	MA4068M	DIODE	Δ
Q509-512	2SC3327-A	TRANSISTOR		D771, 772	1SR35200TB	DIODE	Δ
Q551, 552	2SC3327-A	TRANSISTOR		D781	MA4240H	DIODE	Δ
Q553, 554	2SA1309A-R	TRANSISTOR		D782-785	MA165	DIODE	
Q601, 602	2SA1309A-R	TRANSISTOR		D901	1SS291TA	DIODE	
Q604	2SC3311A-Q	TRANSISTOR		D903	MA4050MTA	DIODE	Δ
Q651, 652	2SA1309A-R	TRANSISTOR		D906	MA165	DIODE	(E, EB)
Q653	2SB21AQSTA	TRANSISTOR		D907	MA165	DIODE	(E, EB, EG)
Q654, 655	2SA1309A-R	TRANSISTOR		D910	MA165	DIODE	(G, GN)
Q701	2SD1761DEF	TRANSISTOR		D917	1SS291TA	DIODE	
Q703-705	2SC3311A-Q	TRANSISTOR	Δ	D921	MA165	DIODE	
Q706	2SC3940AQSTA	TRANSISTOR	Δ	D922	MA4030MTA	DIODE	Δ
Q707	2SB1187DEF	TRANSISTOR	Δ	D923	MA165	DIODE	
Q708	2SC2631QBSTA	TRANSISTOR	Δ	D925	MA165	DIODE	
Q709	2SB1187DEF	TRANSISTOR	Δ	D927, 928	MA165	DIODE	
Q751	UN421PTA	TRANSISTOR		D929	LM018304P	LED	
Q752	2SC3940AQSTA	TRANSISTOR	Δ	D932-934	MA165	DIODE	
Q781	2SC3940AQSTA	TRANSISTOR	Δ	D939	MA165	DIODE	
Q782	2SC3311A-Q	TRANSISTOR		D1001	MA165	DIODE	
Q901	UN4214TA	TRANSISTOR		D1004, 1005	MA165	DIODE	

Ref. No.	Part No.	Part Name & Description	Remarks	Ref. No.	Part No.	Part Name & Description	Remarks
		VARIABLE RESISTOR(S)		FL901	RSL0138-F	DISPLAY TUBE	
						FUSE (S)	
VR471, 472	EVJYA1FA5C15	V. R. TONE CONTROL					
VR501	RRV24D01A	V. R. VOLUME CONTROL		F1	XBA2C16TB0	FUSE, 250V 1. 6A	(E, EB, EG, GN) △
VR502	EVJ02QF02G15	V. R.-BALANCE CONTROL		F1	XBA2C31TB0	FUSE, 250V 3. 15A	(G) △
		COMPONENT COMBINATION (S)		F2	XBA2C16TB0	FUSE, 250V 1. 6A	(G) △
						SWITCH(ES)	
Z101	RLA2Z002M-T	COMPONENT COMBINATION	(EG)	S701	ESD26840A	SW, VOLTAGE ADJ.	(G) △
Z102	RLI2Z006M-T	COMPONENT COMBINATION		S946	EVQ21405R	SW, PRESET TUNING 5	
Z120	ENV17290G1	COMPONENT COMBINATION		S947	EVQ21405R	SW, CENTER LEVEL-	
Z191	RLA6Z005M-T	COMPONENT COMBINATION	(E, EB, G, GN)	S948	EVQ21405R	SW, TEST	
Z891	RCDC-278	REMOTE SENSOR		S949	EVQ21405R	SW, PRESET TUNING 4	
Z901	EXBF5E104J	COMPONENT COMBINATION		S950	EVQ21405R	SW, PRESET TUNING 6	
		COIL (S)		S951	EVQ21405R	SW, CENTER LEVEL+	
L101	ELESN1R0MA	COIL	(E, EB, G, GN)	S952	EVQ21405R	SW, PRESET TUNING 7	
L101	ELESNR56MA	COIL	(EG)	S953	EVQ21405R	SW, REAR LEVEL-	
L103	ELEXTR47MA9	COIL		S954	EVQ21405R	SW, CD	
L104	ELEXT100KA9	COIL		S955	EVQ21405R	SW, TUNER	
L105, 106	RLQZB822KT-D	COIL		S956	EVQ21405R	SW, CENTER MODE	
L151	SLMB10M-1M	COIL		S957	EVQ21405R	SW, PRESET TUNING 9	
L191	ELESN1R0MA	COIL	(E, EB, G, GN)	S960	EVQ21405R	SW, REAR LEVEL+	
L191	ELESNR56MA	COIL	(EG)	S961	EVQ21405R	SW, PRESET TUNING 8	
L591, 592	RLQZP1R0KT-Y	COIL		S962	EVQ21405R	SW, PRESET TUNING 0	
L601, 602	SLQY07G-40	COIL		S964	EVQ21405R	SW, PHONO	
L631, 632	SLQY07G-40	COIL		S966	EVQ21405R	SW, MEMORY	
L701	SLQZ650MH49	COIL	(E, EB, EG, GN) △	S967	EVQ21405R	SW, MUTING	
L751	ELEPK101KA	COIL		S970	EVQ21405R	SW, TAPE/DCC MONI	
L901	RLQZP101KT-Y	COIL		S971	EVQ21405R	SW, VCR2	
L1401	ELEPK101KA	COIL		S972	EVQ21405R	SW, VCR1	
		TRANSFORMER (S)		S973	EVQ21405R	SW, SPEAKER-B	
				S974	EVQ21405R	SW, FM MODE	
T701	RTP1P5E008-W	POWER TRANSFORMER (MAIN)	(E, EB, EG, GN) △	S975	EVQ21405R	SW, BAND	
T701	RTP1P5E009-W	POWER TRANSFORMER (MAIN)	(G) △	S976	EVQ21405R	SW, DIRECT TUNING	
T751	RTP115E003-V	POWER TRANSFORMER (SUB)	(E, EB, EG, GN) △	S977	EVQ21405R	SW, TUNING DOWN	
T751	RTP115E005-V	POWER TRANSFORMER (SUB)	(G) △	S978	EVQ21405R	SW, POWER	
		FILTER (S)		S980	EVQ21405R	SW, 3 STEREO	
				S981	EVQ21405R	SW, SPEAKER-A	
CF201	RLFFETNGD01L	FILTER		S982	EVQ21405R	SW, SURROUND	
CF202	RLFFETMGD01L	FILTER		S983	EVQ21405R	SW, PRESET TUNING 3	
CF901	EFOEC6004T4	OSCILLATOR (6MHz)		S984	EVQ21405R	SW, PRESET TUNING 2	
CF1401	EF0GC3004T4	OSCILLATOR (3MHz)		S985	EVQ21405R	SW, PRESET TUNING 1	
X101	RSXZ456K007M	OSCILLATOR (456KHz)		S987	EVQ21405R	SW, TUNING UP	
X102	RLFDFTD03M1	OSCILLATOR (10. 7MHz)				JACK (S)	
X103	SVQ49U722-S	OSCILLATOR (7. 2MHz)					
		DISPLAY TUBE (S)		JK101	RJH4202M	ANT TERMINAL	
				JK401	SJF3068N	PHONO TERMINAL	
				JK402	SJF3069N	CD IN/REC OUT TERMINAL	
				JK403	SJF3069N	PLAY IN/VCR2 IN TERMINAL	

Ref. No.	Part No.	Part Name & Description	Remarks	Ref. No.	Part No.	Part Name & Description	Remarks
JK404	SJF3069N	VCRI OUT/VCRI IN TERMINAL					
JK406	RJJ33TR01	REMOTE CONTROL OUT TERMINAL		RL601, 602	RSY0013M-0	RELAY	△
JK407	SJF3069-3N	TV MONITOR OUT/VCRI, 2		RL701, 702	RSY0012M-0	RELAY	△
JK601	RJR0054	FRONT SPEAKER(A) TERMINAL		RL751	RSY0012M-0	RELAY	△
JK602	RJR0054	FRONT SPEAKER(B) TERMINAL					
JK603	RJR0054	REAR SPEAKER TERMINAL					
JK604	SJF5201M-1	CENTER SPEAKER TERMINAL					
JK651	RJSLA7402-1	FAN JACK					
JK791	SJS9236	AC INLET	(E, EB, EG) △				
JK791	SJS9231-1B	AC INLET	(G) △				
JK791	SJSD16	AC INLET	(GN) △				
HP601	RJJ63TS01	HEADPHONES JACK					
		CONNECTOR(S) AND SOCKET(S)					
CN101, 102	RJU063W07T	SOCKET (7P)					
CN401, 402	RJU057W007	SOCKET (7P)					
CN501, 502	RJT003K008M1	CONNECTOR (8P)					
CN601	RJT057W004-1	CONNECTOR (4P)					
CN751	SJS305-1	CONNECTOR (3P)	(E, EB, EG, GN)				
CN751	SJS702-1	CONNECTOR (7P)	(G)				
CN753-761	RJS1A1101T1	CONNECTOR (1P)					
CN901-905	RJT003K008M1	CONNECTOR (8P)					
CN913	SJT30345JQ	CONNECTOR (3P)					
CN101A	RJT063W07T	CONNECTOR (7P)					
CN102A	RJT063W07T	CONNECTOR (7P)					
CN401A	RJT057W007-1	CONNECTOR (7P)					
CN402A	RJT057W007-1	CONNECTOR (7P)					
CN501A	RJU003K008M1	SOCKET (8P)					
CN502A	RJU003K008M1	SOCKET (8P)					
CN601A	RJU057W004	SOCKET (4P)					
CN701A	RJS1A1704	SOCKET (4P)					
CN752A	RJS1A1703	CONNECTOR (3P)					
CN901A	RJU003K008M1	SOCKET (8P)					
CN902A	RJU003K008M1	SOCKET (8P)					
CN903A	RJU003K008M1	SOCKET (8P)					
CN904A	RJU003K008M1	SOCKET (8P)					
CN905A	RJU003K008M1	SOCKET (8P)					
CN913A	SJS50382JQH	SOCKET (3P)					
CN701B	RJS1A1704	SOCKET (4P)					
CN752B	RJS1A1703	CONNECTOR (3P)					
CN701C	RJS1A1704	SOCKET (4P)					
		GND PLATE(S)					
E401	SNE1004-1	GND PLATE					
E471	RSC0319	GND PLATE					
E601	SNE1004-1	GND PLATE					
E701, 702	EYF52BC	FUSE HOLDER					
E703, 704	EYF52BC	FUSE HOLDER	(G)				
		RELAY(S)					

RESISTORS AND CAPACITORS

Notes : * Capacity values are in microfarads (μF) unless specified otherwise, P=Pico-farads (pF) F=Farads (F)
 * Resistance values are in ohms, unless specified otherwise, 1K=1,000 (OHM), 1M=1,000k (OHM)

Ref. No.	Part No.	Values & Remarks	Ref. No.	Part No.	Values & Remarks	Ref. No.	Part No.	Values & Remarks
		RESISTORS	R357	ERDS2TJ470	1/4W 47	R545, 546	ERDS2TJ122	1/4W 1.2K
			R358	ERDS2TJ391	1/4W 390	R547, 548	ERDS1FVJ271T	1/2W 270 Δ
			R359, 360	ERDS2TJ470	1/4W 47	R551, 552	ERDS2TJ222	1/4W 2.2K
R103	ERDS2TJ101	1/4W 100	R361	ERDS2TJ391	1/4W 390	R553, 554	ERDS2TJ104	1/4W 100K
R104	ERDS2TJ472	1/4W 4.7K	R362	ERDS2TJ470	1/4W 47	R555	ERDS2TJ562	1/4W 5.6K
R105	ERDS2TJ391	1/4W 390	R363	ERDS2TJ332	1/4W 3.3K	R556	ERDS2TJ822	1/4W 8.2K
R106	ERDS2TJ474	1/4W 470K	R364	ERDS2TJ561	1/4W 560	R557, 558	ERDS2TJ102	1/4W 1K
R107	ERDS2TJ331	1/4W 330	R365	ERDS2TJ332	1/4W 3.3K	R559, 560	ERDS2TJ104	1/4W 100K
R108	ERDS2TJ474	1/4W 470K	R366	ERDS2TJ473	1/4W 47K	R561, 562	ERDS2TJ222	1/4W 2.2K
R109	ERDS2TJ331	1/4W 330	R369, 370	ERDS1FVJ221T	1/2W 220 Δ	R571, 572	ERDS2TJ102	1/4W 1K
R110	ERDS2TJ102	1/4W 1K	R401, 402	ERDS2TJ102	1/4W 1K	R573, 574	ERDS2TJ394	1/4W 390K
R112	ERDS2TJ104	1/4W 100K	R405-416	ERDS2TJ102	1/4W 1K	R575, 576	ERDS2TJ104	1/4W 100K
R113	ERDS2TJ103	1/4W 10K	R417, 418	ERDS2TJ473	1/4W 47K	R577-579	ERDS2TJ103	1/4W 10K
R114	ERDS2TJ562	1/4W 5.6K	R419-422	ERDS2TJ104	1/4W 100K	R591	ERDS1FVJ2R2T	1/2W 2.2 Δ
R115	ERDS2TJ561	1/4W 560	R423, 424	ERDS2TJ102	1/4W 1K	R601, 602	ERDS2TJ681	1/4W 680
R116	ERDS2TJ102	1/4W 1K	R425-427	ERDS2TJ103	1/4W 10K	R603, 604	ERDS2TJ563	1/4W 56K
R117	ERDS2TJ682T	1/4W 6.8K	R440	ERDS1FVJ820T	1/2W 82 Δ	R605, 606	ERDS2TJ101	1/4W 100
R118	ERDS2TJ562	1/4W 5.6K	R441, 442	ERDS2TJ473	1/4W 47K	R607, 608	ERDS2TJ563	1/4W 56K
R119	ERDS2TJ822	1/4W 8.2K	R443	ERDS2TJ330	1/4W 33	R609, 610	ERDS2TJ470	1/4W 47
R120	ERDS2TJ473	1/4W 47K	R451, 452	ERDS2TJ224T	1/4W 220K	R611, 612	ERDS1FVJ100T	1/2W 10 Δ
R121	ERDS2TJ242	1/4W 2.4K	R453, 454	ERDS2TJ391	1/4W 390	R613, 614	ERDS2TJ182	1/4W 1.8K
R122	ERDS2TJ272T	1/4W 2.7K	R455, 456	ERDS2TJ563	1/4W 56K	R615	ERDS2TJ223	1/4W 22K
R124	ERDS2TJ391	1/4W 390	R457, 458	ERDS2TJ271	1/4W 270	R616	ERDS2TJ684	1/4W 680K
R125, 126	ERDS2TJ472	1/4W 4.7K	R459, 460	ERDS2TJ680T	1/4W 68	R617	ERD2FCVG470T	1/4W 47 Δ
R127	ERDS2TJ103	1/4W 10K	R461, 462	ERDS2TJ184T	1/4W 180K	R618	ERD25FJ101	1/4W 100 Δ
R128	ERDS2TJ820	1/4W 82	R463, 464	ERDS2TJ123	1/4W 12K	R619, 620	ERDS2TJ221	1/4W 220
R129	ERDS2TJ473	1/4W 47K	R465, 466	ERDS2TJ563	1/4W 56K	R621	ERDS2TJ684	1/4W 680K
R130, 131	ERDS2TJ102	1/4W 1K	R467-470	ERDS2TJ102	1/4W 1K	R622	ERDS2TJ154	1/4W 150K
R132	ERDS2TJ103	1/4W 10K	R475, 476	ERDS2TJ471	1/4W 470	R623	ERDS2TJ103	1/4W 10K
R133-137	ERDS2TJ102	1/4W 1K	R477-480	ERDS2TJ474	1/4W 470K	R624	ERDS2TJ472	1/4W 4.7K
R139, 140	ERDS2TJ272T	1/4W 2.7K	R481, 482	ERDS2TJ222	1/4W 2.2K	R625	ERDS2TJ103	1/4W 10K
R141, 142	ERDS2TJ102	1/4W 1K	R483, 484	ERDS2TJ392T	1/4W 3.9K	R626	ERDS2TJ223	1/4W 22K
R143, 144	ERDS2TJ222	1/4W 2.2K	R485, 486	ERDS2TJ223	1/4W 22K	R627	ERD25FVJ100T	1/4W 10 Δ
R145, 146	ERDS2TJ821	1/4W 820	R487, 488	ERDS2TJ392T	1/4W 3.9K	R628	ERDS2TJ103	1/4W 10K
R147, 148	ERDS2TJ474	1/4W 470K	R489, 490	ERDS2TJ222	1/4W 2.2K	R629	ERDS2TJ223	1/4W 22K
R149	ERDS2TJ680T	1/4W 68	R491, 492	ERDS2TJ122	1/4W 1.2K	R630	ERD25FVJ100T	1/4W 10 Δ
R171, 172	ERDS2TJ102	1/4W 1K	R493, 494	ERDS2TJ333	1/4W 33K	R631, 632	ERDS2TJ222	1/4W 2.2K
R173	ERDS2TJ471	1/4W 470	R501, 502	ERDS2TJ222	1/4W 2.2K	R633, 634	ERDS2TJ563	1/4W 56K
R175	ERDS2TJ102	1/4W 1K	R503-506	ERDS2TJ103	1/4W 10K	R635, 636	ERDS2TJ332	1/4W 3.3K
R176	ERDS2TJ391	1/4W 390	R509, 510	ERDS2TJ222	1/4W 2.2K	R637, 638	ERDS2TJ563	1/4W 56K
R191	ERDS2TJ103	1/4W 10K E, EB, G, GN	R511, 512	ERDS2TJ152	1/4W 1.5K	R639, 640	ERDS2TJ470	1/4W 47
R192	ERDS2TJ122	1/4W 1.2K E, EB, G, GN	R521, 522	ERDS2TJ101	1/4W 100	R641, 642	ERDS1FVJ100T	1/2W 10 Δ
R193	ERDS2TJ182	1/4W 1.8K E, EB, G, GN	R523-526	ERDS2TJ102	1/4W 1K	R646	ERDS2TJ684	1/4W 680K
R194	ERDS2TJ122	1/4W 1.2K E, EB, G, GN	R527, 528	ERDS2TJ394	1/4W 390K	R647	ERD25FJ470	1/4W 47 Δ
R195	ERDS2TJ223	1/4W 22K E, EB, G, GN	R530	ERDS2TJ103	1/4W 10K	R649, 650	ERDS2TJ221	1/4W 220
R351, 352	ERDS2TJ471	1/4W 470	R532	ERDS2TJ103	1/4W 10K	R651	ERDS2TJ684	1/4W 680K
R354	ERDS2TJ472	1/4W 4.7K	R533-536	ERDS2TJ102	1/4W 1K	R652	ERDS2TJ154	1/4W 150K
R355	ERDS2TJ470	1/4W 47	R537	ERDS2TJ332	1/4W 3.3K	R659, 660	ERDS2TJ102	1/4W 1K
R356	ERDS2TJ102	1/4W 1K	R539, 540	ERDS2TJ330	1/4W 33	R661	ERDS2TJ104	1/4W 100K

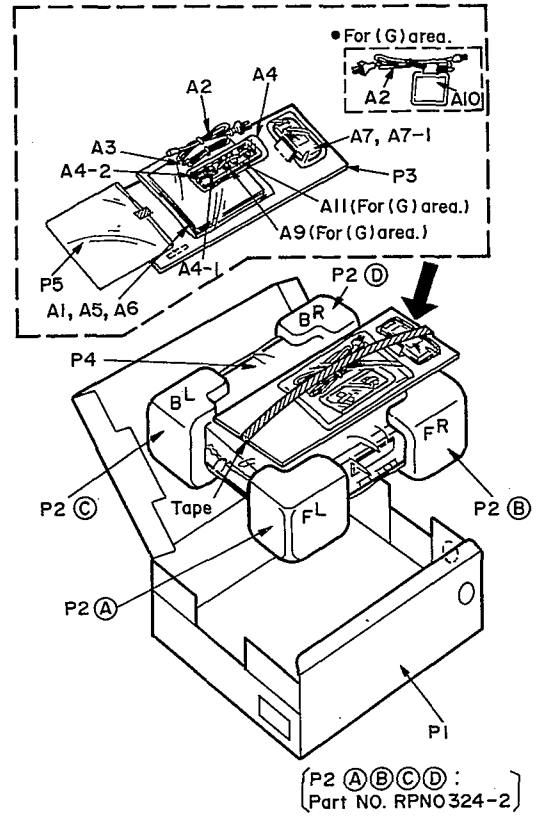
Ref. No.	Part No.	Values & Remarks	Ref. No.	Part No.	Values & Remarks	Ref. No.	Part No.	Values & Remarks
R663	ERDS2TJ334	1/4W 330K	R928	ERDS2TJ222	1/4W 2. 2K	R1023	ERDS2TJ202T	1/4W 2K
R665, 666	ERG1SJ151E	1W 150	R929	ERDS2TJ562	1/4W 5. 6K	R1025, 1026	ERDS2TJ102	1/4W 1K
R667-670	ERDS1FVJ680T	1/2W 68 Δ	R930, 931	ERDS2TJ101	1/4W 100	R1405-1410	ERDS2TJ153	1/4W 15K
R671-676	ERDS2TJ223	1/4W 22K	R932-934	ERDS2TJ102	1/4W 1K	R1411	ERDS2TJ272T	1/4W 2. 7K
R677	ERDS2TJ153	1/4W 15K	R935	ERDS2TJ473	1/4W 47K	R1431	ERDS2TJ105T	1/4W 1M
R678	ERDS2TJ104	1/4W 100K	R936-944	ERDS2TJ102	1/4W 1K	R1434	ERDS2TJ822	1/4W 8. 2K
R679	ERDS2TJ103	1/4W 10K	R946-949	ERDS2TJ103	1/4W 10K	R1435	ERDS2TJ103	1/4W 10K
R680	ERDS2TJ223	1/4W 22K	R950	ERDS2TJ102	1/4W 1K	R1449	ERDS2TJ102	1/4W 1K
R681	ERDS2TJ332	1/4W 3. 3K	R951	ERDS2TJ122	1/4W 1. 2K	R1450, 1451	ERDS2TJ274	1/4W 270K
R682	ERDS1FVJ390T	1/2W 39 Δ	R952	ERDS2TJ152	1/4W 1. 5K	R1452	ERDS2TJ561	1/4W 560
R683	ERDS2TJ103	1/4W 10K	R953	ERDS2TJ182	1/4W 1. 8K	R1453	ERDS2TJ473	1/4W 47K
R684	ERDS2TJ153	1/4W 15K	R954	ERDS2TJ222	1/4W 2. 2K	R1454	ERDS2TJ472	1/4W 4. 7K
R685, 686	ERDS2TJ333	1/4W 33K	R955	ERDS2TJ332	1/4W 3. 3K	R1455	ERDS2TJ153	1/4W 15K
R687	ERDS2TJ103	1/4W 10K	R956	ERDS2TJ472	1/4W 4. 7K	R1456	ERDS2TJ273	1/4W 27K
R688	ERDS2TJ222	1/4W 2. 2K	R957	ERDS2TJ682T	1/4W 6. 8K	R1457	ERDS2TJ103	1/4W 10K
R689	ERDS2TJ220T	1/4W 22	R960	ERDS2TJ102	1/4W 1K	R1458	ERDS2TJ332	1/4W 3. 3K
R690	ERDS2TJ473	1/4W 47K	R961	ERDS2TJ122	1/4W 1. 2K	R1459	ERDS2TJ123	1/4W 12K
R705, 706	ERDS1FVJ2R2T	1/2W 2. 2 Δ	R962	ERDS2TJ152	1/4W 1. 5K	R1460	ERDS2TJ181T	1/4W 180
R707	ERDS2TJ332	1/4W 3. 3K	R963	ERDS2TJ182	1/4W 1. 8K	R1462	ERDS2TJ822	1/4W 8. 2K
R708	ERDS2TJ102	1/4W 1K	R964	ERDS2TJ222	1/4W 2. 2K	R1463	ERDS2TJ473	1/4W 47K
R711	ERD25FVJ221T	1/4W 220 Δ	R965	ERDS2TJ332	1/4W 3. 3K	R1464-1466	ERDS2TJ474	1/4W 470K
R714	ERDS2TJ472	1/4W 4. 7K	R966	ERDS2TJ472	1/4W 4. 7K	R1467-1469	ERDS2TJ332	1/4W 3. 3K
R715, 716	ERDS2TJ1R5T	1/4W 1. 5	R967	ERDS2TJ682T	1/4W 6. 8K	R1472	ERDS2TJ682T	1/4W 6. 8K
R717	ERDS2TJ752T	1/4W 7. 5K	R970	ERDS2TJ102	1/4W 1K	R1473	ERDS2TJ222	1/4W 2. 2K
R718	ERDS2TJ682T	1/4W 6. 8K	R971	ERDS2TJ122	1/4W 1. 2K	R1474-1476	ERDS2TJ474	1/4W 470K
R719	ERDS1FVJ220T	1/2W 22 Δ	R972	ERDS2TJ152	1/4W 1. 5K	R1477	ERDS2TJ222	1/4W 2. 2K
R721	ERDS2TJ182	1/4W 1. 8K	R973	ERDS2TJ182	1/4W 1. 8K	R1478	ERDS2TJ682T	1/4W 6. 8K
R722, 723	ERDS1FVJ5R6T	1/2W 5. 6 Δ	R974	ERDS2TJ222	1/4W 2. 2K			
R724	ERDS2TJ123	1/4W 12K	R975	ERDS2TJ332	1/4W 3. 3K			CAPACITORS
R725	ERDS2TJ102	1/4W 1K	R976	ERDS2TJ472	1/4W 4. 7K			
R726	ERD25FVJ121T	1/4W 120 Δ	R977	ERDS2TJ682T	1/4W 6. 8K	C101	ECBT1C103NS5	16V 0. 01U
R727	ERD25FVJ180T	1/4W 18 Δ	R978	ERDS2TJ123	1/4W 12K	C103	ECBT1C103NS5	16V 0. 01U
R728	ERDS1FVJ4R7T	1/2W 4. 7 Δ	R980	ERDS2TJ102	1/4W 1K	C104	ECBT1H102KB5	50V 1000P
R729	ERDS2TJ152	1/4W 1. 5K	R981	ERDS2TJ122	1/4W 1. 2K	C105	ECBT1H470JC5	50V 47P
R732	ERDS1FVJ2R2T	1/2W 2. 2 Δ	R982	ERDS2TJ152	1/4W 1. 5K	C106	ECBT1C103NS5	16V 0. 01U
R754	ERDS2TJ102	1/4W 1K	R983	ERDS2TJ182	1/4W 1. 8K	C107	ECBT1H473ZF5	50V 0. 047U
R781	ERD25FVJ180T	1/4W 18 Δ	R984	ERDS2TJ222	1/4W 2. 2K	C108	ECBT1H100JC5	50V 10P E, EB, G, GN
R785	ERDS2TJ332	1/4W 3. 3K	R985	ERDS2TJ332	1/4W 3. 3K	C108	ECBT1H8R2KC5	50V 8. 2P EG
R786	ERDS2TJ222	1/4W 2. 2K	R986	ERDS2TJ472	1/4W 4. 7K	C109, 110	ECBT1C103NS5	16V 0. 01U
R787	ERDS2TJ471	1/4W 470	R987	ERDS2TJ682T	1/4W 6. 8K	C111	ECEA1EKA4R7B	25V 4. 7U
R788	ERDS2TJ682T	1/4W 6. 8K	R991	ERDS2TJ103	1/4W 10K	C112	ECBT1C103NS5	16V 0. 01U
R901	ERDS2TJ102	1/4W 1K	R1004, 1005	ERDS2TJ472	1/4W 4. 7K	C113	ECBT1H102KB5	50V 1000P
R902	ERDS2TJ681	1/4W 680	R1008, 1009	ERDS2TJ224T	1/4W 220K	C114	ECEA1HKA3R3B	50V 3. 3U
R903, 904	ERDS2TJ104	1/4W 100K	R1010	ERDS2TJ471	1/4W 470	C115	ECEA1CKA100B	16V 10U
R905, 906	ERDS2TJ103	1/4W 10K	R1011-1013	ERDS2TJ473	1/4W 47K	C116	ECBT1C822MS5	16V 8200P
R907-911	ERDS2TJ104	1/4W 100K	R1014, 1015	ERDS2TJ223	1/4W 22K	C117	ECQP2A471J2T	100V 470P
R920	ERDS2TJ271	1/4W 270	R1016	ERDS2TJ752T	1/4W 7. 5K	C118, 119	ECQB1H103JF3	50V 0. 01U
R921	ERDS2EJ121	1/4W 120	R1017	ERDS2TJ153	1/4W 15K	C120, 121	ECEA1HKA010B	50V 1U
R922	ERDS2TJ472	1/4W 4. 7K	R1018	ERDS2TJ202T	1/4W 2K	C122	ECEA1HKA2R2B	50V 2. 2U
R923	ERDS2TJ102	1/4W 1K	R1019, 1020	ERDS2TJ473	1/4W 47K	C123	ECEA1HKA010B	50V 1U
R926	ERDS2TJ122	1/4W 1. 2K	R1021	ERDS2TJ153	1/4W 15K	C124	ECBT1H102KB5	50V 1000P
R927	ERDS2TJ181T	1/4W 180	R1022	ERDS2TJ752T	1/4W 7. 5K	C125	ECBT1H150JC5	50V 15P

Ref. No.	Part No.	Values & Remarks	Ref. No.	Part No.	Values & Remarks	Ref. No.	Part No.	Values & Remarks
C126	ECBT1H473ZF5	50V 0.047U	C485, 486	ECFR1E123KR	25V 0.012U	C710	ECBT1E103ZF	25V 0.01U
C127	ECEA1CKA220B	16V 22U	C487, 488	ECQV1H683JM3	50V 0.068U	C711	ECKR1H103ZF5	50V 0.01U
C128	ECBT1C103NS5	16V 0.01U	C489, 490	ECFR1E562KR	25V 5600P	C712	ECA1HM470B	50V 47U
C129, 130	ECEA0JKA101B	6.3V 100U	C491, 492	ECFR1E273KR	25V 0.027U	C713	ECKR1H103ZF5	50V 0.01U
C131	ECBT1C103NS5	16V 0.01U	C495, 496	ECBT1E103ZF	25V 0.01U	C715	ECEA1CKA470B	16V 47U
C132	ECBT1H102KB5	50V 1000P	C503, 504	ECEA1CKA220B	16V 22U	C716	ECEA2AU100	100V 10U
C133	ECBT1H150JC5	50V 15P	C518	ECBT1H104ZF5	50V 0.1U	C722	ECQE2104KF3	250V 0.1U
C134	ECBT1H180JC5	50V 18P	C519	ECBT1E103ZF	25V 0.01U	C751	ECKWNS103ZVS	500V 0.01U Δ
C135, 136	ECBT1C103KS5	16V 0.01U	C541, 542	ECA1JM330B	63V 33U	C752	ECKR1H103ZF5	50V 0.01U
C137, 138	ECBT1H561KB5	50V 560P	C543, 544	ECBT1H332KR5	50V 3300P	C753	ECA1EM102B	25V 1000U Δ
C139, 140	ECQB1H682JF3	50V 6800P	C551, 552	ECEA1HKA3R3B	50V 3.3U	C754	ECBT1E103ZF	25V 0.01U
C141-144	ECEA1HKA010B	50V 1U	C553, 554	ECBT1E103ZF	25V 0.01U	C756	ECBT1E103ZF	25V 0.01U
C145	ECBT1H220JC5	50V 22P	C555, 556	ECBT1H101KB5	50V 100P	C757	ECEA1CKA470B	16V 47U
C146	ECBT1H331KB5	50V 330P	C557	ECBT1H331KB5	50V 330P	C758	ECEA1KA101B	10V 100U
C147	ECBT1H102KB5	50V 1000P	C558	ECBT1H221KB5	50V 220P	C771, 772	ECA1VM331B	35V 330U Δ
C148	ECBT1C103NS5	16V 0.01U	C559, 560	ECEA1HKA3R3B	50V 3.3U	C795, 796	ECA1HM470B	50V 47U
C149	ECBT1H104ZF5	50V 0.1U	C561, 562	ECEA1CKA100B	16V 10U	C891	ECFR1E392KR	25V 3900P
C171	ECBT1C103NS5	16V 0.01U	C571, 572	ECBT1E103ZF	25V 0.01U	C901	ECADJM102B	6.3V 1000U
C172	ECBT1H331KB5	50V 330P	C573	ECEA1HKA3R3B	50V 3.3U	C902, 903	ECBT1E103ZF	25V 0.01U
C173	ECEA1CKA220B	16V 22U	C591, 592	ECEA0JKA101B	6.3V 100U	C904	ECADJM471B	6.3V 470U
C174	ECEA1CKA101B	16V 100U	C593, 594	ECFR1E104KR	25V 0.1U	C906	ECEA0JKA101B	6.3V 100U
C181	ECBT1H471KB5	50V 470P	C595	ECBT1E103ZF	25V 0.01U	C907	ECEA0JKA220B	6.3V 22U
C351, 352	ECEA0JKA101B	6.3V 100U	C601, 602	ECEA1EKN3R3B	25V 3.3U	C908	ECBT1E103ZF	25V 0.01U
C353	ECEA0JKA470B	6.3V 47U	C603, 604	ECBT1H331KB5	50V 330P	C911, 912	ECEA2AU100	100V 10U
C401	ECEA1VKA4R7B	35V 4.7U	C605, 606	ECEA1CKN220B	16V 22U	C913, 914	ECEA1VKA100B	35V 10U
C402, 403	ECBT1E103ZF	25V 0.01U	C607, 608	ECCD1H150KC	50V 15U	C916	ECEA1HKA010B	50V 1U
C404	ECEA1VKA4R7B	35V 4.7U	C609, 610	ECBT1H221KB5	50V 220P	C920	ECEA1HKA010B	50V 1U
C405, 406	ECBT1H101KB5	50V 100P	C611, 612	ECQV1H473JM3	50V 0.047U	C921-928	ECBT1H331KB5	50V 330P
C409, 410	ECEA1CKA220B	16V 22U	C613	ECA1HM470B	50V 47U	C929	ECBT1H101KB5	50V 100P
C411, 412	ECBT1H101KB5	50V 100P	C614	ECQV1H474JM3	50V 0.47U	C932	ECBT1E103ZF	25V 0.01U
C413, 414	ECEA1CKA100B	16V 10U	C615	ECEA2AU100	100V 10U	C933, 934	ECBT1H101KB5	50V 100P
C415, 416	ECBT1E103ZF	25V 0.01U	C616	ECEA2AN2R2SB	100V 2.2U	C1001	ECBT1E103ZF	25V 0.01U
C417, 418	ECBT1H101KB5	50V 100P	C621-624	ECKT1H223ZF	50V 0.022U	C1002	ECEA1CKA100B	16V 10U
C419-422	ECBT1H331KB5	50V 330P	C625-627	ECKR1H103ZF5	50V 0.01U	C1003-1005	ECEA1HKA010B	50V 1U
C423-426	ECBT1H101KB5	50V 100P	C631, 632	ECEA1VKA4R7B	35V 4.7U	C1006	ECEA1HKA3R3B	50V 3.3U
C427, 428	ECBT1H221KB5	50V 220P	C633, 634	ECBA1H681KB5	50V 680P	C1007	ECFR1E153KR	25V 0.015U
C431, 432	ECEA1CKA100B	16V 10U	C635, 636	ECEA1CKA220B	16V 22U	C1008	ECFR1E103KR	25V 0.01U
C440	ECBT1E103ZF	25V 0.01U	C637, 638	ECCR1H100K5	50V 10P	C1009	ECBA1H681KB5	50V 680P
C451, 452	ECEA1VKA4R7B	35V 4.7U	C639, 640	ECBT1H821KB5	50V 820P	C1010	ECQV1H104JM3	50V 0.1U
C453, 454	ECBT1H100JC5	50V 10P	C641, 642	ECQV1H473JM3	50V 0.047U	C1012, 1013	ECQV1H104JM3	50V 0.1U
C455, 456	ECBT1H102KB5	50V 1000P	C644	ECA1JM330B	63V 33U	C1014	ECEA1HKAR33B	50V 0.33U
C457, 458	ECEA1AKA330B	10V 33U	C645	ECEA2AU100	100V 10U	C1015	ECBA1H681KB5	50V 680P
C459, 460	ECFR1E223KR	25V 0.022U	C651	ECEA1HKA2R2B	50V 2.2U	C1016, 1017	ECEA1VKA4R7B	35V 4.7U
C461, 462	ECFR1E682KR	25V 6800P	C652	ECEA1CKA100B	16V 10U	C1018	ECEA1HKAR15B	50V 0.15U
C463, 464	ECEA1VKA4R7B	35V 4.7U	C653	ECBT1E223ZF	25V 0.022U	C1019	ECEA1HKA3R3B	50V 3.3U
C465, 466	ECBT1E103ZF	25V 0.01U	C655	ECEA0JKA221B	6.3V 220U	C1020	ECQV1H154JM3	50V 0.15U
C469, 470	ECBT1H181KB5	50V 180P	C701	ECBT1E103ZF	25V 0.01U	C1021, 1022	ECEA1CKA470B	16V 47U
C471, 472	ECEA1HKA3R3B	50V 3.3U	C702	ECQE2104KF3	250V 0.1U	C1023, 1024	ECEA1HKA3R3B	50V 3.3U
C475, 476	ECBT1H150J5	50V 15P	C703, 704	ECEA1HKA3R3B	66V 8000U Δ	C1025	ECEA1HKAR33B	50V 0.33U
C477, 478	ECBT1H221KB5	50V 220P	C707	ECA1VM101B	35V 100U	C1026, 1027	ECQV1H104JM3	50V 0.1U
C479, 480	ECBT1H560J5	50V 56P	C708	ECKR1H103ZF5	50V 0.01U	C1028	ECBA1H681KB5	50V 680P
C481-484	ECEA1VKA4R7B	35V 4.7U	C709	ECEA1CKA330B	16V 33U	C1029, 1030	ECEA1VKA4R7B	35V 4.7U

Ref. No.	Part No.	Values & Remarks
C1031	ECEA1HKAR15B	50V 0.15U
C1032	ECEA1HKA3R3B	50V 3.3U
C1033	ECQV1H154JM3	50V 0.15U
C1035	ECQV1H474JM3	50V 0.47U
C1036	ECBT1E103ZF	25V 0.01U
C1037, 1038	ECEA1CKA101B	16V 100U
C1403	ECEA1HKA010B	50V 1U
C1404	ECFR1E332KR	25V 3300P
C1405	ECBT1H561KB5	50V 560P
C1406	ECQV1H104JM3	50V 0.1U
C1407	ECEA1CKA470B	16V 47U
C1408, 1409	ECQV1H474JM3	50V 0.47U
C1410	ECQV1H104JM3	50V 0.1U
C1411	ECFR1E332KR	25V 3300P
C1412	ECBT1H561KB5	50V 560P
C1414	ECFR1E123KR	25V 0.012U
C1415	ECBT1H104ZF5	50V 0.1U
C1416	ECEA0JKA221B	6.3V 220U
C1451	ECBT1H101KB5	50V 100P
C1457, 1458	ECEA1CKA100B	16V 10U
C1459	ECEA1CKA101B	16V 100U
C1460	ECFR1E822KR	25V 8200P
C1461	ECEA1CKA220B	16V 22U
C1462	ECFR1E273KR	25V 0.027U
C1463	ECFR1E472KR	25V 4700P
C1464	ECEA1CKA100B	16V 10U
C1465	ECBT1E103ZF	25V 0.01U
C1466	ECEA1HKAOR1B	50V 0.1U
C1468	ECEA1HKAR33B	50V 0.33U
C1469	ECFR1E333KR	25V 0.033U
C1470	ECEA1HKA3R3B	50V 3.3U
C1472, 1473	ECEA1HKA3R3B	50V 3.3U
C1474, 1475	ECBT1E103ZF	25V 0.01U
C1476-1478	ECBT1H181KB5	50V 180P
C1479, 1480	ECEA1CKA470B	16V 47U
C1481-1483	ECEA1HKA3R3B	50V 3.3U
C1489, 1490	ECEA1HKA3R3B	50V 3.3U
C1493	ECQV1H563JM3	50V 0.056U
C1494	ECEA1CKA100B	16V 10U

PACKAGING

• For (E, EG, G) areas.



• For (EB, GN) areas.

